

# Technical data sheet

Sprung cover, 60 mm

Item number: 2003749



Sprung lid with centrally moulded, elastic spreading spring, for sockets with Ø 60 mm, lid edge is flush, surface is roughened.



**PS** Polystyrene

## Master data

Item number	2003749
Type	ZA 60-FD
Description 1	Sprung lid
Available from	01.10.2021
Manufacturer	OBO
Dimension	Ø72
Colour	White
Material	Polystyrene
Smallest sales unit	25
Unit of quantity	Piece
Weight	0.56 kg
Weight unit	kg/100 pc.

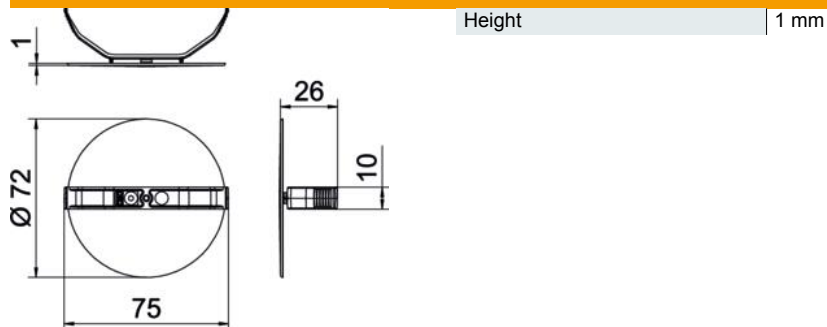
# Technical data sheet

Sprung cover, 60 mm

Item number: 2003749



## Dimensions



## Technical data

Fastening type	Spring cover
Flame-resistant	acc. to VDE 0471/IEC 60695-2-11, test temperature 650°C
Shape	Round
Halogen-free	yes