

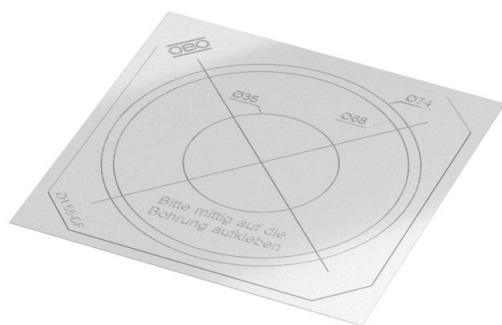
Technical data sheet

Sealing foil, cavity wall device box

Item number: 2003850



Foil for sealing of installation openings that are cut too large or broken out.



Master data

Item number	2003850
Type	ZH 68-DF
Description 1	Sealing foil
Description 2	for cavity wall device box
Available from	01.10.2021
Manufacturer	OBO
Dimension	Ø68mm
Colour	Transparent
Smallest sales unit	10
Unit of quantity	Piece
Weight	0.5 kg
Weight unit	kg/100 pc.

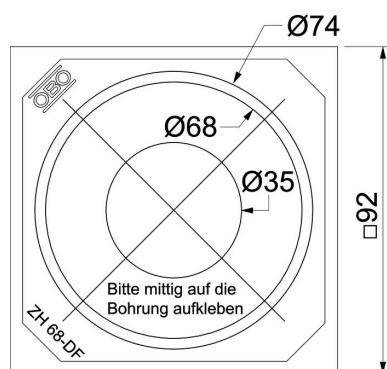
Technical data sheet

Sealing foil, cavity wall device box

Item number: 2003850



Dimensions



Length	92 mm
Width	92 mm

Technical data

Fastening, self-adhesive	yes
With warning/information symbol	no
With warning/information text	no
Phosphorescent	no
Type of accessory	Seal